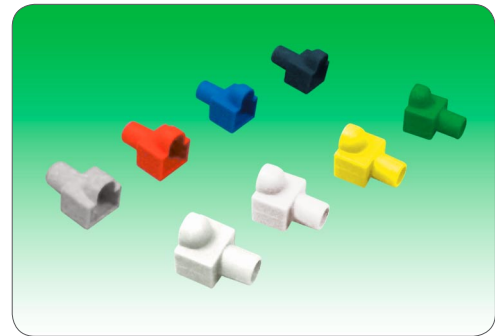
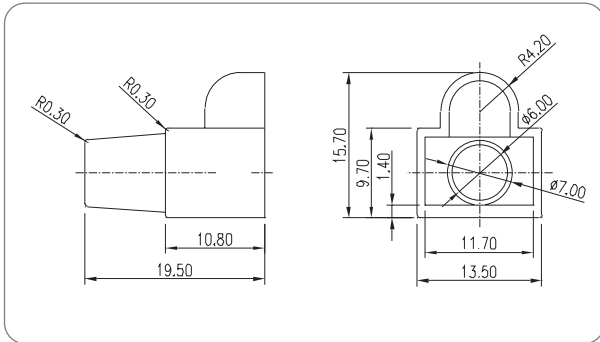


TA27PC small RJ45 plug cover



TA27PC

Specification:

1. Material: PVC
2. Standard color: Black or Grey
3. Option color: Red, Yellow, Blue, Green, White
4. Dimension A: 6.0 mm

Ordering Information:

TA27PC	-	XX
		BK: Black
		BL: Blue
		GN: Green
		GR: Grey
		IV: Ivory
		RD: Red
		WH: White
		YL: Yellow