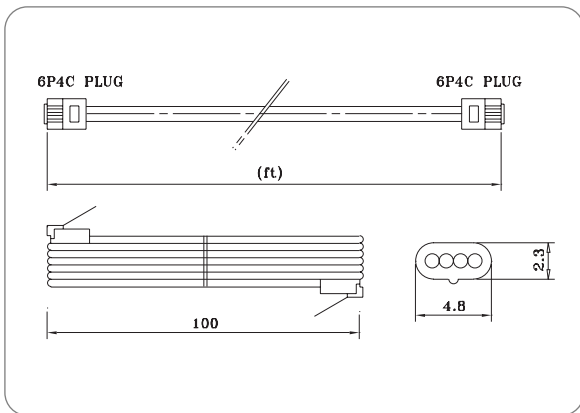
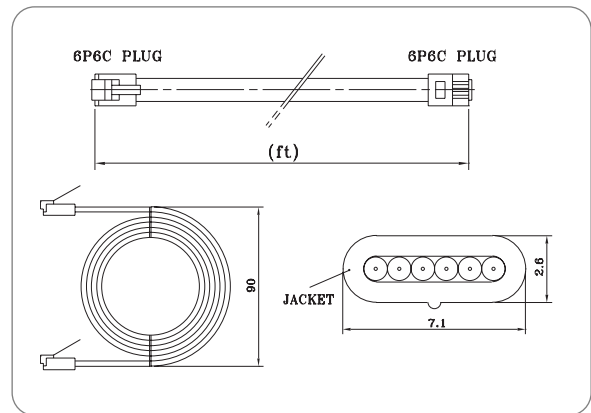


TC4X-XX line cord



TC440X 6P4C



TC4610

Specification:

1. Telephone line cord:
 - a. Conductor: 26 AWG, 7 stranded.
 - b. Insulation: PP, 4 wires (TC44), 6 wires (TC46), 8 wires (TC48).
 - c. Jacket: PVC,
 - d. Color: Ivory or Black.
2. Plug:
 - a. Plastic material: PC,
 - b. Color: Clear.
 - c. Contact blade: Phosphor bronze.
 - d. Plating: Hard gold over nickel
3. Flat cable jacket color: Ivory or Black.



Ordering Information:

TC4	X (Conductors)	XX (length)	- X (Gold plating)	XX (Color)
4	4C	07 : 7ft	6 : 6μ"/0.15μm	SL : Silver satin IV : Ivory WH : White BK : Black
6	6C	14 : 14ft	3 : 30μ"/0.76μm	
8	8C	25 : 25ft	5 : 50μ"/1.27μm	

Please specify plug type:

4P4C	6P4C-RJ11	6P6C-RJ12
8P4C	8P8C-RJ45	

Flat modular cable

Ordering Information:

TC7	X	XX	-	XX (Color)
Flat cable 26 AWG	Conductors	length		SL : Silver satin BK : Black BL : Blue WH : White
	4 : 4C	00 : 1000ft/305M reel		
	6 : 6C	50 : 500M reel		
	8 : 8C			

Usage:

Flat modular cable is constructed of 26 AWG stranded copper parallel conductors. Recommend to use on phone system or twisted pairs are not necessary.



TC7400