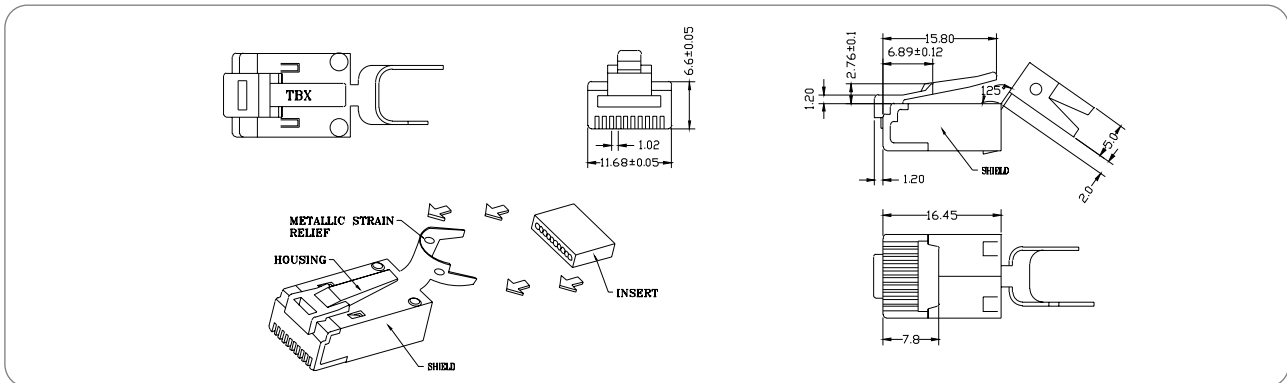


TA5710FS 10P10C Fully Shielded Plug w/insert



Specifications:

Meet FCC Parts 68.

Meet IEC 60603-7.

Housing: Polycarbonate (PC), UL 94V-0.

Insert: Polycarbonate (PC), UL 94V-0.

Contact Blade: Phosphor bronze,

50 μ "/1.27 μ m min. gold in contact area.

100 μ "/2.54 μ m nickel all over.

Shield Cover: 0.3 mm brass. 80 μ "/2.03 μ m nickel plating.

Electronic:

Current Rating: 1.5 A max. per circuit.

Contact resistance: 20 mohm max. at 100 mA max. 50 mV max.

Insulation Resistance: 500 Mohm min. at 500V d.c.

Dielectric withstanding voltage: 1000V a.c. RMS 60 Hz, 1 minute.

Mechanical:

Durability: 1000 mating cycles.

Cable-to-Plug tensile strength: 20 lbs (89N) min.

Temperature: -40°C to 80°C .

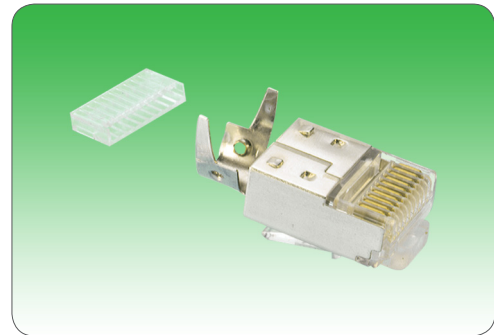
Application:

Fully shielded RJ 45 modular plug.

Special for EMI & EMC requirements.

Design for matching Cat. 5/6 STP patch cord assembly.

Colored SR TA5606(6P), TA5608(8P) for identification and latch protection.



TA5710FS Fully Shielded Plug

Part No.	Positions	Description
TA5706FS	6P6C	Fully shielded plug w/insert
TA5708FS	8P8C	Fully shielded plug w/insert
TA5710FS	10P10C	Fully shielded plug w/insert