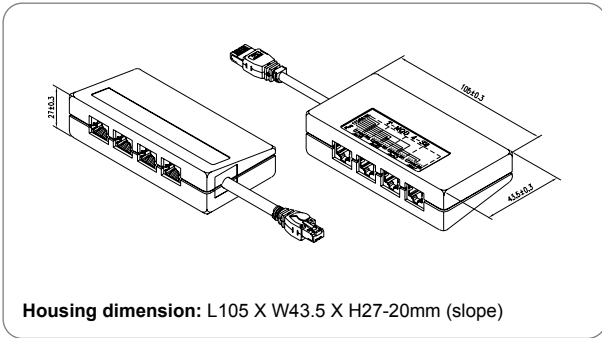
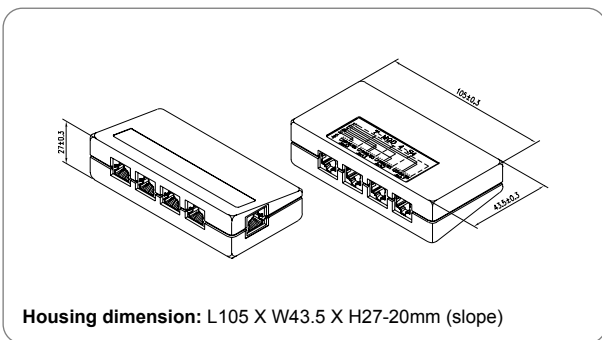


T-MOD 4



T-Mod 4 with cable



T-Mod 4 compact box

Ordering Information:

T-MOD4	-	X	X	XX
		U : Unshielded S : Shielded	1. RJ45 to RJ45X4 (with side-entry cable) 2. RJ45 to 8P2CX4 (with side-entry cable) 3. RJ45 to RJ45X4 (compact box) 4. RJ45 to 8P2CX4 (compact box)	IV : Ivory WH : White

Wiring Diagram and labeling

